


ABN12242108
Industry Standards

UL 508, Types 12 & 13
 CSA Certified, Type 12
 NEMA/EEMAC Types 12 & 13
 JIC EL-1-71

 UL File E64791

 CSA File LL66078

FEATURES-SPECIFICATIONS
Applications

Designed to house Allen-Bradley 1494F flange-mounted disconnect switches and Bulletin 1494D flange-mounted operators for circuit breakers. Provides protection from dust, dirt, oil and water.

Construction

- Bodies and doors fabricated from 14 gauge steel
- Plasma welded seams
- Rolled lip around all sides of enclosure opening excludes liquids and contaminants
- Doors easily removed by pulling continuous hinge pin
- Polyurethane poured-in-place gasket
- External mounting feet
- Collar studs for mounting **optional** back panel
- Grounding provisions provided
- Holes are provided in body and door for mounting disconnect switch, operating mechanism and door hardware.

- Guide brackets and door catch are welded to inside of door
- Locking bars are also provided for door hardware
- Spacers and screws are provided to secure disconnect switch and fuse block adapter plate to the panel
- Print pocket is provided
- Enclosures under 40" high require 2-point door hardware
- Enclosures 40" high and larger require 3-point door hardware
- Instructions to locate and install disconnect switches, circuit breakers, and operating mechanisms is provided

Finish

- ANSI 61 gray polyester powder inside and out over phosphatized surfaces
- **Optional** back panels are white polyester powder over phosphatized surfaces

Accessories

- Back panels (reference tables)
- See pages J1-J19
- Blank Adapter Plates are on pages F57 and J12

IMPORTANT

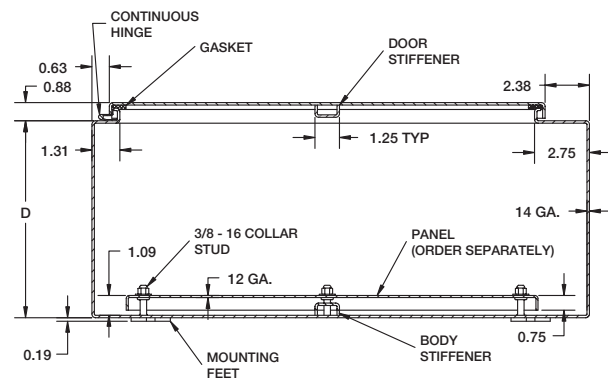
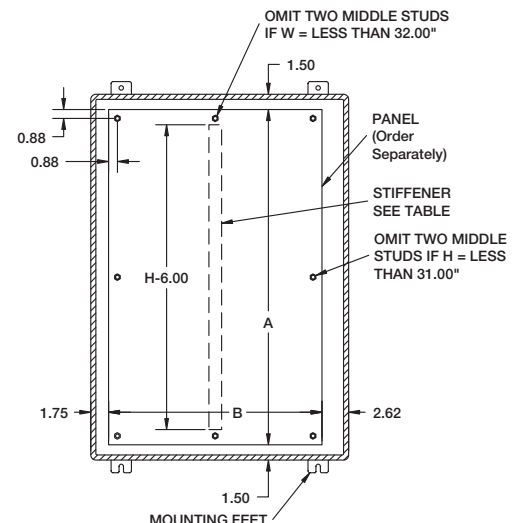
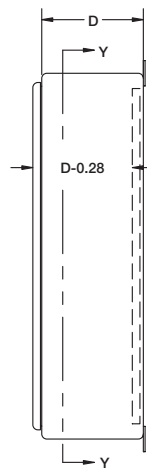
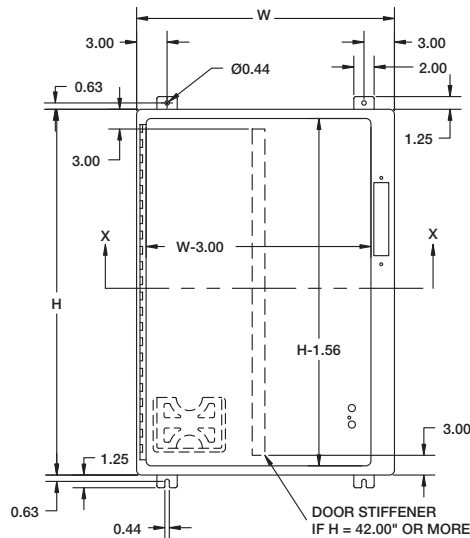
- Disconnect switch or circuit breakers, operating handle, operating mechanism, and door hardware are not furnished with enclosure and must be ordered separately from the disconnect manufacturer
- Operator adapter plates are not required with this enclosure
- Disconnect and door hardware ordering information is located on page F18
- Review space occupied by disconnect drawing on page F18 and disconnect tables on page F19 to determine if the disconnect device you are using will fit the enclosure size you have selected



ABN12 SERIES WALL-MOUNT DISCONNECTS						
CATALOG NUMBER	BODY/DOOR STEEL GAUGE	ENCLOSURE SIZE H X W X D	BACK PANEL CATALOG NUMBER*	BACK PANEL SIZE A X B	STIFFENER	
					DOOR	BODY
ABN12242108	14/14	24.00x21.38x8.13 (610x543x206)	NP2420	21.00x17.00 (533x432)	No	No
ABN12242508	14/14	24.00x25.38x8.13 (610x645x206)	NP2424	21.00x21.00 (533x533)	No	No
ABN12302108	14/14	30.00x21.38x8.13 (762x543x206)	NP3020	27.00x17.00 (686x432)	No	No
ABN12302508	14/14	30.00x25.38x8.13 (762x645x206)	NP3024	27.00x21.00 (686x533)	No	No
ABN12363108	14/14	36.00x31.38x8.13 (914x797x206)	NP3630	33.00x27.00 (838x686)	No	Yes
ABN12423108	14/14	42.00x31.38x8.13 (1067x797x206)	NP4230	39.00x27.00 (991x686)	Yes	Yes
ABN12362510	14/14	36.00x25.38x10.13 (914x645x257)	NP3624	33.00x21.00 (838x533)	No	No
ABN12363110	14/14	36.00x31.38x10.13 (914x797x257)	NP3630	33.00x27.00 (838x686)	No	Yes
ABN12483710**	14/14	48.00x37.38x10.13 (1219x949x257)	NP4836	45.00x33.00 (1143x838)	Yes	Yes
ABN12603710**	14/14	60.00x37.38x10.13 (1524x949x257)	NP6036	57.00x33.00 (1448x838)	Yes	Yes
ABN12483812**	14/14	48.00x37.38x12.13 (1219x949x308)	NP4836	45.00x33.00 (1143x838)	Yes	Yes
ABN12483816**	14/14	48.00x37.38x16.13 (1219x949x410)	NP4836	45.00x33.00 (1143x838)	Yes	Yes

*Back panels must be ordered separately.

**Enclosures are supplied with closed cell neoprene gasket (not foam-in-place)



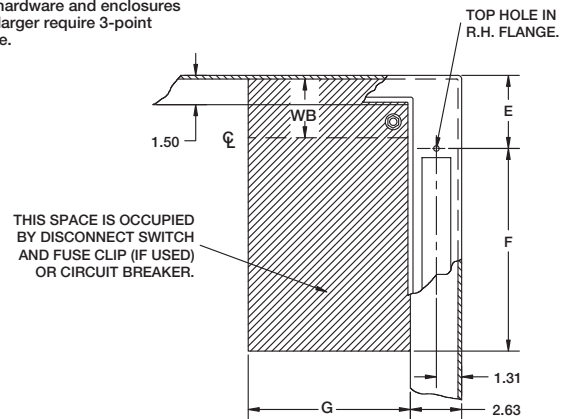
Notes:

1. Large print pocket (8" x 10") is provided in each enclosure.
2. Panels are made from 12 Ga. steel.
3. Panels have flanges along all sides when either dimension exceeds 17".
4. Enclosures under 40" high require 2-point door hardware and enclosures 40" high and larger require 3-point door hardware.

Note:
 E = 3.84 when D = 8.00
 E = 6.75 when D = 10.00
 E = 9.50 when D = 12.00
 (Except enclosures for 200 amp switches)
 E = 9.50 when D = 16.00
 E = 10.50 when D = 12.00
 (Except enclosures for 200 amp switches)
 WB = Wiring Space

Disconnects will occupy space on panel shown by Dimensions "E", "F", & "G". Wiring space "WB" is available when disconnect is installed in the enclosure.

Refer to National Electrical Code 1996 article 430-10(b) for wiring space required for line side conductors to be connected to disconnect. Verify your application to determine if wiring space is adequate.



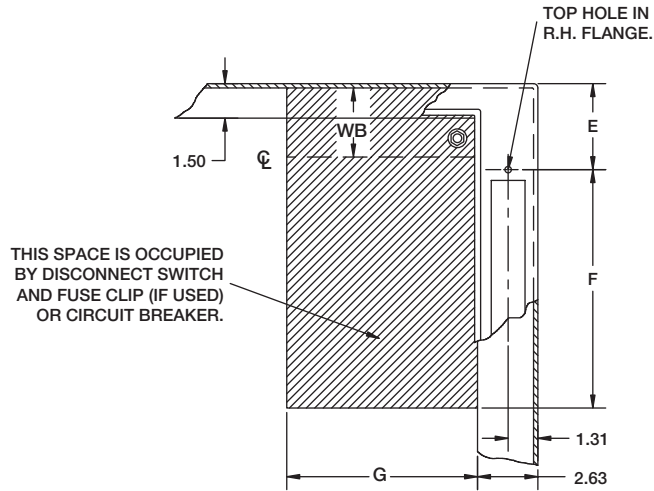
Space Occupied by Disconnect

- E = 3.84 when D = 8.00
- E = 6.75 when D = 10.00
- E = 9.50 when D = 12.00
(Except enclosures for 200 amp switches)
- E = 9.50 when D = 16.00
- E = 10.50 when D = 12.00
(Except enclosures for 200 amp switches)
- WB = Wiring Space

See page F19 for various brands of disconnects for "F", "G" & "WB" dimensions.

Disconnects will occupy space on panel shown by dimensions "E", "F" & "G". Wiring space "WB" is available when disconnect is installed in the enclosure.

Refer to *National Electrical Code*® 1996 article 430-10(b) for wiring space required for line side conductors to be connected to disconnect. Verify your application to determine if wiring space is adequate.



DISCONNECT ORDERING INFORMATION

When ordering wall-mounted disconnects from the following manufacturer, be sure to order all of the necessary items. Order the following items from the disconnect manufacturer.

Allen-Bradley

When using a Bulletin 1494F disconnect switch, order:

- * 1. A disconnect switch (30A, 60A, or 100A)
- 2. A fuse block adapter, if required
- 2. Line and load connectors, if required
- **4. Door hardware (Bulletin 1494F-L1 for 2-point latching, or Bulletin 1494F-L2 and 1494F-L3 for 3-point latching)

When using a Bulletin 1494D circuit breaker operating mechanism, order:

- 1. A circuit breaker (C-H/Westinghouse)
- 2. An operating mechanism
- 3. A slide mechanism
- **4. Door hardware Bulletin 1494F-L1 for 2-point latching, or Bulletin 1494F-L2 and 1494F-L3 for 3-point latching)

PLEASE NOTE:

1. Operator adapter plates are not required with enclosures on page F17.
2. Various other switch accessories and circuit breaker accessories are available from disconnect manufacturers. The above information is subject to change without notice. Please contact Hubbell/Wiegmann or the disconnect manufacturer if there are further questions.
3. The "Space Occupied" tables (page F19) are based upon information supplied by the disconnect manufacturer. Hubbell/Wiegmann does not assume responsibility for the accuracy of these dimensions.

* Items available from disconnect manufacturer as complete kits.

**Enclosure "H" dimension less than 40" (1016mm) requires a 2-point door hardware (one Allen-Bradley catalog number 1494F-L1). Enclosures with an "H" dimension of 40.00-inches or more require a 3-point door hardware (one Allen-Bradley catalog number 1494F-L2 and one catalog number 1494F-L3).



**ABN12 SERIES ENCLOSURES
DISCONNECT SPACE OCCUPIED & AVAILABLE WIRING SPACE INFORMATION**

ALLEN-BRADLEY 1494F DISCONNECT SWITCHES										WIRE BEND SPACE "WB" ABOVE DISCONNECT		
										ABN12 (PAGES F16-18)		
FITS ENCLOSURE DEPTH				TYPE NUMBER	AMP RATING	FUSE CLIP	FUSE CLASS	SPACE OCCUPIED		WHEN E=3.84 WB	WHEN E=6.75 WB	WHEN E=9.50 WB
8.00 (203)	10.00 (254)	12.00 (305)	16.00 (406)					F	G**			
•	•	•	•	N30	30A	No fuse	—	4.62	6.25	3.25	6.25	8.88
•	•	•	•	NF30	30A	30A-250V	H, K, R	6.25	6.25	3.25	6.25	8.88
•	•	•	•	NF30	30A	60A-250V	H, K, R	7.25	6.25	3.25	6.25	8.88
•	•	•	•	NF30	30A	30A-600V	H, K, R	9.25	6.25	3.25	6.25	8.88
•	•	•	•	NF30	30A	60A-600V	H, K, R	9.75	6.25	3.25	6.25	8.88
•	•	•	•	NF30	30A	30A-600V	J	6.50	6.25	3.25	6.25	8.88
•	•	•	•	NF30	30A	60A-600V	J	6.62	6.25	3.25	6.25	8.88
•	•	•	•	N60	60A	No fuse	—	4.62	6.25	2.50	5.25	8.12
•	•	•	•	NF60	60A	30A-600V	H, K, R	10.38	6.25	2.50	5.25	8.12
•	•	•	•	NF60	60A	60A-250V	H, K, R	8.38	6.25	2.50	5.25	8.12
•	•	•	•	NF60	60A	100A-250V	H, K, R	10.88	6.25	2.50	5.25	8.12
•	•	•	•	NF60	60A	60A-600V	H, K, R	10.88	6.25	2.50	5.25	8.12
•	•	•	•	NF60	60A	100A-600V	H, K, R	12.88	6.38	2.50	5.25	8.12
•	•	•	•	NF60	60A	60A-600V	J	7.75	6.25	2.50	5.25	8.12
•	•	•	•	NF60	60A	100A-600V	J	9.75	6.25	2.50	5.25	8.12
—	•	•	•	N100	100A	No fuse	—	4.62	7.00	—	3.50	6.25
—	•	•	•	NF100	100A	100A-250V	H, K, R	11.38	7.00	—	3.50	6.25
—	•	•	•	NF100	100A	200A-250V	H, K, R	12.25	7.25	—	3.50	6.25
—	•	•	•	NF100	100A	100A-600V	H, K, R	13.38	7.12	—	3.50	6.25
—	•	•	•	NF100	100A	200A-600V	H, K, R	14.75	7.38	—	3.50	6.25
—	•	•	•	NF100	100A	100A-600V	J	10.12	7.00	—	3.50	6.25
—	•	•	•	NF100	100A	200A-600V	J	10.88	7.25	—	3.50	6.25
—	—	•	—	N200	200A*	No fuse	—	7.12	10.00	—	—	7.00
—	—	•	—	NF200	200A*	200A-250V	H, K, R	15.00	10.00	—	—	7.00
—	—	•	—	NF200	200A*	400A-250V	H, K, R	16.56	10.38	—	—	7.00
—	—	•	—	NF200	200A*	200A-600V	H, K, R	17.56	10.00	—	—	7.00
—	—	•	—	NF200	200A*	400A-600V	H, K, R	19.56	10.62	—	—	7.00
—	—	•	—	NF200	200A*	200A-600V	J	13.69	10.00	—	—	7.00
—	—	•	—	NF200	200A*	400A-600V	J	15.00	10.25	—	—	7.00

ALLEN-BRADLEY 1494D CIRCUIT BREAKER OPERATORS										WIRE BEND SPACE "WB" ABOVE DISCONNECT		
										ABN12 (PAGES F16-F18)		
FITS ENCLOSURE DEPTH				TYPE NUMBER	FRAME RATING	BREAKER TYPE FRAME SIZE (3POLE)	SPACE OCCUPIED		WHEN E=3.84 WB	WHEN E=6.75 WB	WHEN E=9.50 WB	
8.00 (203)	10.00 (254)	12.00 (305)	16.00 (406)				F	G				
•	•	•	•	N4/N40	150A	Westinghouse EHD, FD, FDB, FDC, HFD, HMCP	5.81	4.31	3.25	6.12	8.88	
	•	•	•	N5/N55	225A	General Electric TFK, THFK, TFC	8.81	4.50	—	5.34	8.09	
	•	•	•	N5/N50	250A	C-H/Westinghouse JD, JDB, JDC, HJD, HMCP	8.81	4.50	—	5.31	8.06	
	•	•	•	N5/N60	400A	C-H/Westinghouse KD, KDB, KDC, HKD, HMCP	8.81	5.62	—	5.44	8.19	

* 200 amp switches can be installed only in 12.00-inch (305mm) deep enclosures that have provisions for 200 amp switches.
 ** The "G" dimension does not include space for auxiliary switches. See Allen-Bradley instructions for additional space required.

**NP SERIES BACK PANELS
ACCESSORY PANELS FOR NEMA 1, 3R, 12, 4 & 4X WALL-MOUNTS**

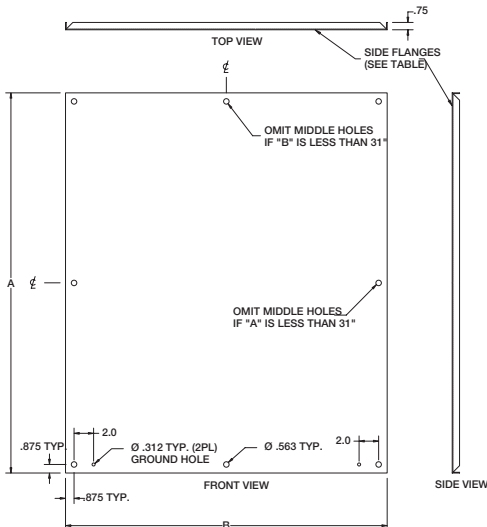


NP1212

FEATURES-SPECIFICATIONS

Description

- Steel and stainless panels are 12 gauge
 - Aluminum panels are 5052-H32 aluminum alloy, .080-inch thick
 - Panel with any side over 17.00" has 3/4" flange on all sides
 - Steel panels are painted white polyester powder
 - Panels fit the following enclosures:
 - NEMA 1, Large (NIC)
 - NEMA 3R, Hinge Cover (RHC, Large)
 - NEMA 4, 412, & 4X Single Door (N12, N4, N412, SSN4)
 - NEMA 12 2-Door Wall-Mount, (WAWF), Single Door
- Right Flange Disconnect (SDN12, ABN12)
Large JIC (B-CH, Large) Single door N12



BACK PANELS FOR NEMA 1, 3R, 12, 4 & 4X WALL-MOUNT ENCLOSURES			
PAINTED STEEL (WHITE)	CATALOG NUMBER		PANEL SIZE A X B
	316 STAINLESS STEEL	ALUMINUM	
NP1212	—	—	9.00X9.00 (229X229)
NP1224	—	—	9.00X21.00 (229X533)
NP1612	NP1612SSA	ALNP1612	13.00X9.00 (330X229)
NP1616	NP1616SSA	ALNP1616	13.00X13.00 (330X330)
NP1620	—	—	17.00X13.00 (432X330)
NP2012	—	—	17.00X9.00 (432X229)
NP2016	NP2016SSA	ALNP2016	17.00X13.00 (432X330)
NP2024	—	—	21.00X17.00 (533X432)
NP2020	NP2020SSA	ALNP2020	17.00X17.00 (432X432)
NP2412	—	—	21.00X9.00 (533X229)
NP2416	NP2416SSA	—	21.00X13.00 (533X330)
NP2420	NP2420SSA	ALNP2420	21.00X17.00 (533X432)
NP2424	NP2424SSA	ALNP2424	21.00X21.00 (533X533)
NP2430	—	—	27.00X21.00 (686X533)
NP3016	—	—	27.00X13.00 (686X330)
NP3020	NP3020SSA	—	27.00X17.00 (686X432)
NP3024	NP3024SSA	ALNP3024	27.00X21.00 (686X533)
NP3030	NP3030SSA	—	27.00X27.00 (686X686)
NP3036	—	—	33.00X27.00 (838X686)
NP3042	—	—	39.00X27.00 (991X686)
NP3624	NP3624SSA	ALNP3624	33.00X21.00 (838X533)
NP3630	NP3630SSA	ALNP3630	33.00X27.00 (838X686)
NP3636	NP3636SSA	—	33.00X33.00 (838X838)
NP3642	—	—	39.00X33.00 (991X838)
NP4024	—	—	37.00X21.00 (940X533)
NP4224	—	—	39.00X21.00 (991X533)
NP4230	NP4230SSA	—	39.00X27.00 (991X686)
NP4236	NP4236SSA	—	39.00X33.00 (991X838)
NP4824	—	—	45.00X21.00 (1143X533)
NP4830	—	—	45.00X27.00 (1143X686)
NP4836	NP4836SSA	ALNP4836	45.00X33.00 (1143X838)
NP6030	—	—	57.00X27.00 (1448X686)
NP6036	NP6036SSA	ALNP6036	57.00X33.00 (1448X838)
NP7230	—	—	69.00X27.00 (1753X686)
NP7236	—	—	69.00X33.00 (1753X838)